



Cold-Junction-Compensated K-Thermocouple-to-Digital Converter (0°C to +128°C)

MAX6674

General Description

The MAX6674 cold-junction-compensation thermocouple-to-digital converter performs cold-junction compensation and digitizes the signal from a type-K thermocouple. The data is output in a 10-bit resolution, SPI™-compatible, read-only format.

This converter resolves temperatures to 0.125°C, allows readings as high as +128°C, and exhibits thermocouple accuracy of ±2°C for temperatures ranging from 0°C to +125°C.

The MAX6674 is available in a small, 8-pin SO package.

Features

- ◆ Cold-Junction Compensation
- ◆ Simple SPI-Compatible Serial Interface
- ◆ 10 Bit, 0.125°C
- ◆ Open Thermocouple Detection

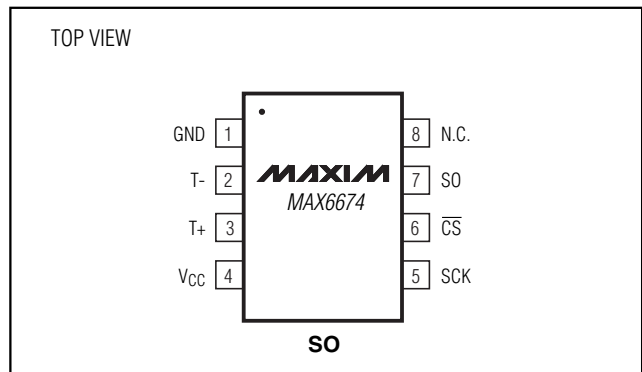
Ordering Information

PART	TEMP RANGE	PIN-PACKAGE
MAX6674ISA	-20°C to +85°C	8 SO

Applications

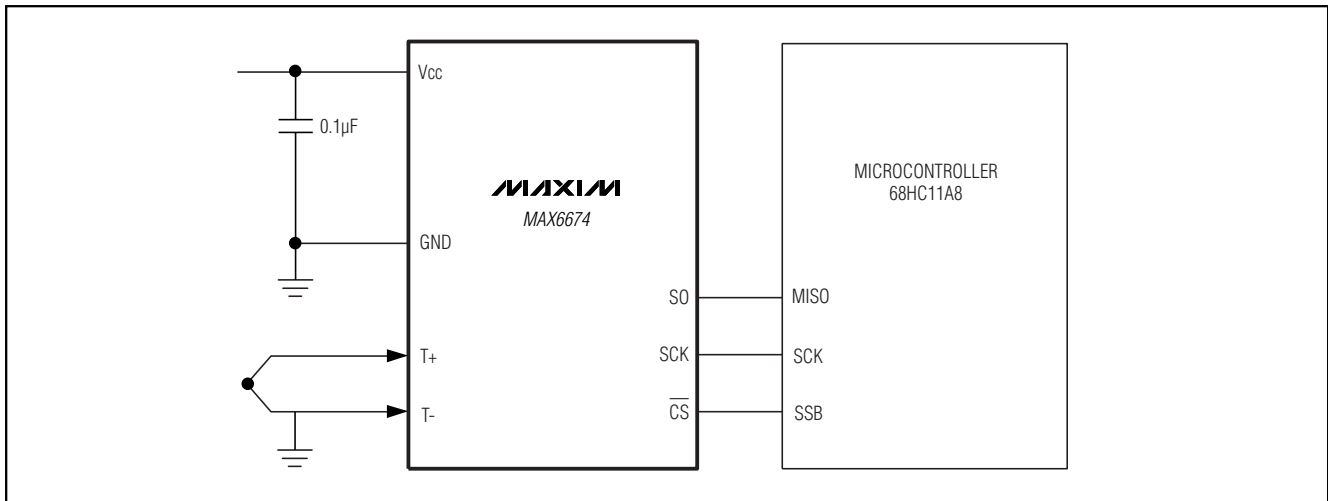
- Industrial Appliances
- HVAC
- Automotive

Pin Configuration



SPI is a trademark of Motorola, Inc.

Typical Application Circuit



Cold-Junction-Compensated K-Thermocouple-to-Digital Converter (0°C to +128°C)

ABSOLUTE MAXIMUM RATINGS

Supply Voltage (V _{CC} to GND)	-0.3V to +6V	Storage Temperature Range	-65°C to +150°C
SO, SCK, $\overline{\text{CS}}$, T-, T+ to GND	-0.3V to V _{CC} + 0.3V	Junction Temperature	+150°C
SO Current	50mA	SO Package	
ESD Protection (Human Body Model)	±2000V	Vapor Phase (60s)	+215°C
Continuous Power Dissipation (T _A = +70°C)		Infrared (15s)	+220°C
8-Pin SO (derate 5.88mW/°C above +70°C).....	471mW	Lead Temperature (soldering, 10s)	+300°C
Operating Temperature Range	-20°C to +85°C		

Stresses beyond those listed under "Absolute Maximum Ratings" may cause permanent damage to the device. These are stress ratings only, and functional operation of the device at these or any other conditions beyond those indicated in the operational sections of the specifications is not implied. Exposure to absolute maximum rating conditions for extended periods may affect device reliability.

ELECTRICAL CHARACTERISTICS

(V_{CC} = +3.0V to +5.5V, T_A = -20°C to +85°C, unless otherwise noted. Typical values specified at +25°C.) (Note 1)

PARAMETER	SYMBOL	CONDITIONS		MIN	TYP	MAX	UNITS
Temperature Error		T _{THERMOCOUPLE} = +100°C, T _A = +25°C (Note 2)	V _{CC} = +3.3V	-1		+1	°C
			V _{CC} = +5V	-1.5		+1.5	
		T _{THERMOCOUPLE} = 0°C to +125°C, T _A = +25°C (Note 2)	V _{CC} = +3.3V	-2		+2	
			V _{CC} = +5V	-3		+3	
Temperature Conversion Constant				5.125			μV/LSB
Cold-Junction Compensation		T _A = +25°C	V _{CC} = +3.3V	-1		+1	°C
		T _A = -20°C to +85°C (Note 2)	V _{CC} = +3.3V and +5V	-3		+3	
Resolution					0.125		°C
Thermocouple Input Impedance					20		kΩ
Supply Voltage	V _{CC}			3.0		5.5	V
Supply Current	I _{CC}				1	2	mA
Power-On Reset Threshold		V _{CC} rising		1	2	2.5	V
Power-On Reset Hysteresis					50		mV
Conversion Time		(Note 2)			0.15	0.18	s
SERIAL INTERFACE							
Input Low Voltage	V _{IL}					0.3 x V _{CC}	V
Input High Voltage	V _{IH}			0.7 x V _{CC}			V
Input Leakage Current	I _{LEAK}	V _{IN} = GND or V _{CC}		-5		5	μA
Input Capacitance	C _{IN}				5		pF

Cold-Junction-Compensated K-Thermocouple-to-Digital Converter (0°C to +128°C)

MAX6674

ELECTRICAL CHARACTERISTICS (continued)

($V_{CC} = +3.0V$ to $+5.5V$, $T_A = -20^\circ C$ to $+85^\circ C$, unless otherwise noted. Typical values specified at $+25^\circ C$.) (Note 1)

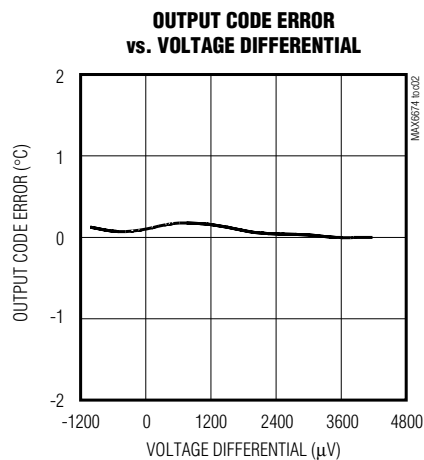
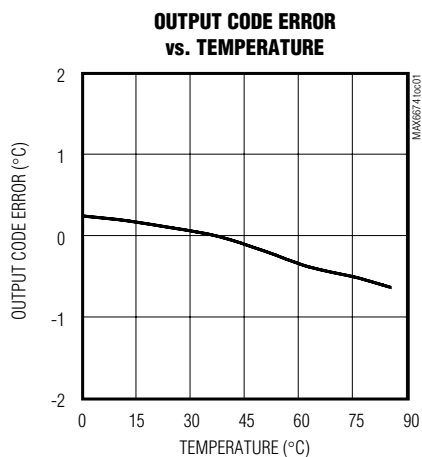
PARAMETER	SYMBOL	CONDITIONS	MIN	TYP	MAX	UNITS
Output High Voltage	V_{OH}	$I_{SOURCE} = 1.6mA$	$V_{CC} - 0.4$			V
Output Low Voltage	V_{OL}	$I_{SINK} = 1.6mA$			0.4	V
TIMING						
Serial Clock Frequency	f_{SCL}				4.3	MHz
SCK Pulse High Width	t_{CH}		100			ns
SCK Pulse Low Width	t_{CL}		100			ns
CSB Fall to SCK Rise	t_{CSS}	$C_L = 10pF$	100			ns
CSB Fall to Output Enable	t_{DV}	$C_L = 10pF$			100	ns
CSB Rise to Output Disable	t_{TR}	$C_L = 10pF$			100	ns
SCK Fall to Output Data Valid	t_{DO}	$C_L = 10pF$			100	ns

Note 1: All specifications are 100% tested at $T_A = +25^\circ C$. Specification limits over temperature ($T_A = -20^\circ C$ to $+85^\circ C$) are guaranteed by design and characterization, not production tested.

Note 2: Guaranteed by design. Not production tested.

Typical Operating Characteristics

($V_{CC} = +3.3V$, $T_A = +25^\circ C$, unless otherwise noted.)



Cold-Junction-Compensated K-Thermocouple-to-Digital Converter (0°C to +128°C)

Pin Description

PIN	NAME	FUNCTION
1	GND	Ground
2	T-	Alumel Lead of Type-K Thermocouple. Should be connected to ground externally.
3	T+	Chromel Lead of Type-K Thermocouple
4	VCC	Positive Supply. Bypass with a 0.1µF capacitor to GND.
5	SCK	Serial Clock Input
6	$\overline{\text{CS}}$	Chip Select. Set $\overline{\text{CS}}$ low to enable the serial interface.
7	S0	Serial Data Output
8	N.C.	No Connection

Detailed Description

The MAX6674 is a sophisticated thermocouple-to-digital converter with a built-in 10-bit analog-to-digital converter (ADC). The device also contains cold-junction compensation sensing and correction, a digital controller, an SPI-compatible interface, and associated control logic.

The MAX6674 is designed to work in conjunction with an external microcontroller (µC) or other intelligence in thermostatic, process-control, or monitoring applications. The µC is typically a power-management or keyboard controller, generating SPI serial commands by “bit-banging” general-purpose input-output (GPIO) pins or through a dedicated SPI interface block.

Temperature Conversion

The MAX6674 includes signal conditioning hardware to convert the thermocouple’s signal into a voltage that is compatible with the input channels of the ADC. The T+ and T- inputs connect to internal circuitry that reduces the introduction of noise errors from the thermocouple wires.

Before converting the thermoelectric voltages into equivalent temperature values, it is necessary to compensate for the difference between the thermocouple cold-junction side (MAX6674 ambient temperature) and a 0°C virtual reference.

For a type-K thermocouple, the voltage changes by 41µV/°C, which approximates the thermocouple characteristic with the following linear equation:

$$V_{\text{OUT}} = (41\mu\text{V}/^\circ\text{C}) \times (T_{\text{R}} - T_{\text{AMB}})$$

where:

V_{OUT} is the thermocouple output voltage (µV).

T_{R} is the temperature of the remote point (°C).

T_{AMB} is the ambient temperature (°C).

Cold-Junction Compensation

The function of the thermocouple is to sense a difference in temperature between two ends. The thermocouple’s hot junction can be read from 0°C to +127.875°C. The cold end (ambient temperature of the board on which the MAX6674 is mounted) can only range from -20°C to +85°C. While the temperature at the cold end fluctuates, the MAX6674 continues to accurately sense the temperature difference at the opposite end.

The MAX6674 senses and corrects for the changes in the ambient temperature with cold-junction compensation. The device converts the ambient temperature reading into a voltage using a temperature-sensing diode. To make the actual thermocouple temperature measurement, the MAX6674 measures the voltage from the thermocouple’s output and from the sensing diode. The device’s internal circuitry passes the diode’s voltage (sensing ambient temperature) and thermocouple voltage (sensing remote temperature minus ambient temperature) to the conversion function stored in the ADC to calculate the thermocouple’s hot-junction temperature.

Optimal performance from the MAX6674 is achieved when the thermocouple cold junction and the device are at the same temperature. Avoid placing heat-generating devices or components near the MAX6674 because this may produce cold-junction-related errors.

Digitization

The ADC adds the cold-junction diode measurement with the amplified thermocouple voltage and reads out the 10-bit sequence onto the S0 pin. A sequence of all zeros means the thermocouple reading is 0°C. A sequence of all ones means the thermocouple reading is +127.875°C.

Cold-Junction-Compensated K-Thermocouple-to-Digital Converter (0°C to +128°C)

Applications Information

Serial Interface

The *Typical Application Circuit* shows the MAX6674 interfaced with a microcontroller. In this example, the MAX6674 processes the reading from the thermocouple and transmits the data through a serial interface. Force \overline{CS} low and apply a clock signal at SCK to read the results at S0. Forcing \overline{CS} low immediately stops any conversion process. Initiate a new conversion process by forcing \overline{CS} high.

Force \overline{CS} low to output the first bit on the S0 pin. A complete serial interface read requires 16 clock cycles. Read the 16 output bits on the falling edge of the clock. The first bit, D15, is a dummy sign bit and always zero. Bits D14–D5 contain the converted temperature in the order of MSB to LSB. Bit D4 reads a high value when any of the thermocouple inputs are open. Bit D3 is always low to provide a device ID for the MAX6674. Bits D2–D0 are in three-state when \overline{CS} is high.

Figure 1a is the serial interface protocol and Figure 1b shows the serial interface timing. Figure 2 is the S0 output.

Open Thermocouple

Bit D4 is normally low and goes high if the thermocouple input is open. The open thermocouple detection circuit is implemented completely into the MAX6674. In order to allow the operation of the open thermocouple detector, T- must be grounded. Make the ground connection as close to the GND pin as possible.

Noise Considerations

The accuracy of the MAX6674 is susceptible to power-supply coupled noise. The effects of power-supply noise can be minimized by placing a 0.1 μ F ceramic bypass capacitor close to the supply pin of the device.

Thermal Considerations

Self-heating degrades the temperature measurement accuracy of the MAX6674 in some applications. The magnitude of the temperature errors depends on the thermal conductivity of the MAX6674 package, the mounting technique, and the effects of airflow. Use a large ground plane to improve the temperature measurement accuracy.

The accuracy of a thermocouple system can also be improved by following these precautions:

- Use the largest wire possible that does not shunt heat away from the measurement area.
- If small wire is required, use it only in the region of the measurement and use extension wire for the region with no temperature gradient.
- Avoid mechanical stress and vibration that could strain the wires.
- When using long thermocouple wires, use a twisted-pair extension wire.
- Avoid steep temperature gradients.
- Try to use the thermocouple wire well within its temperature rating.
- Use the proper sheathing material in hostile environments to protect the thermocouple wire.
- Use extension wire only at low temperatures and only in regions of small gradients.
- Keep an event log and a continuous record of thermocouple resistance.

Reducing Effects of Pick-Up Noise

The input amplifier (A1) is a low-noise amplifier designed to enable high-precision input sensing. Keep the thermocouple and connecting wires away from electrical noise sources.

Cold-Junction-Compensated K-Thermocouple-to-Digital Converter (0°C to +128°C)

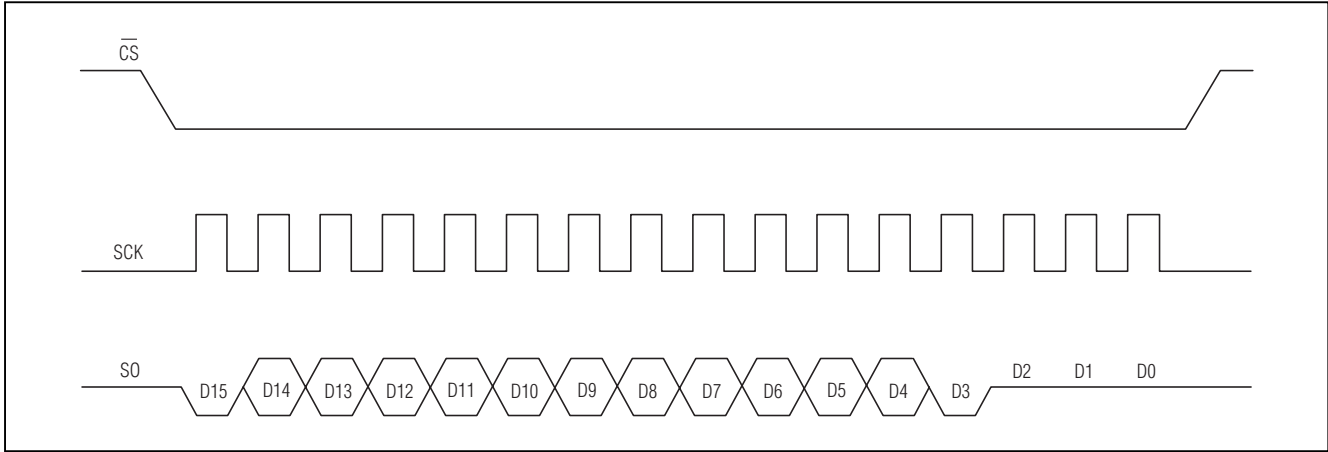


Figure 1a. Serial Interface Protocol

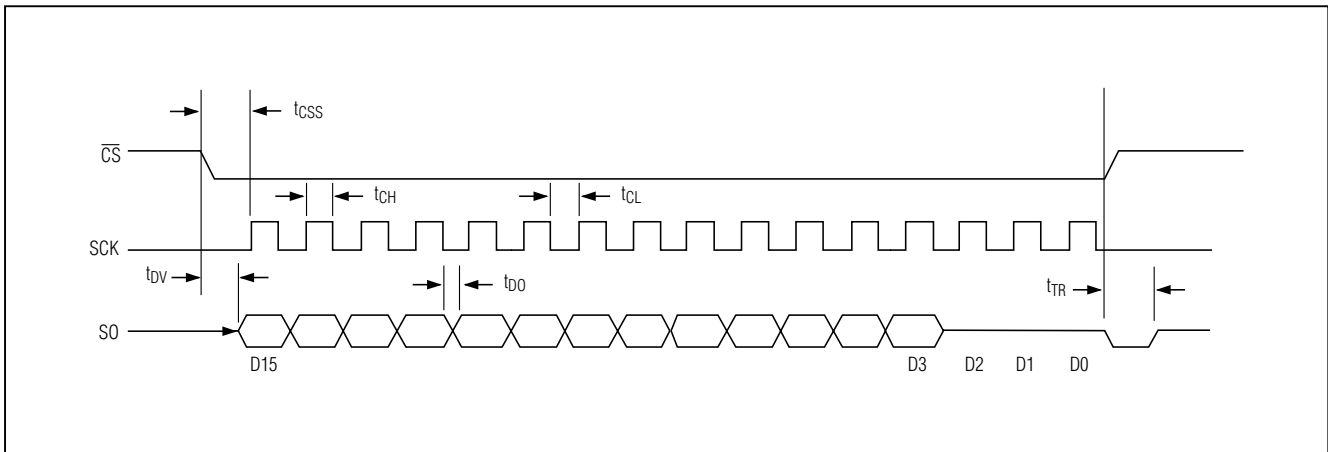


Figure 1b. Serial Interface Timing

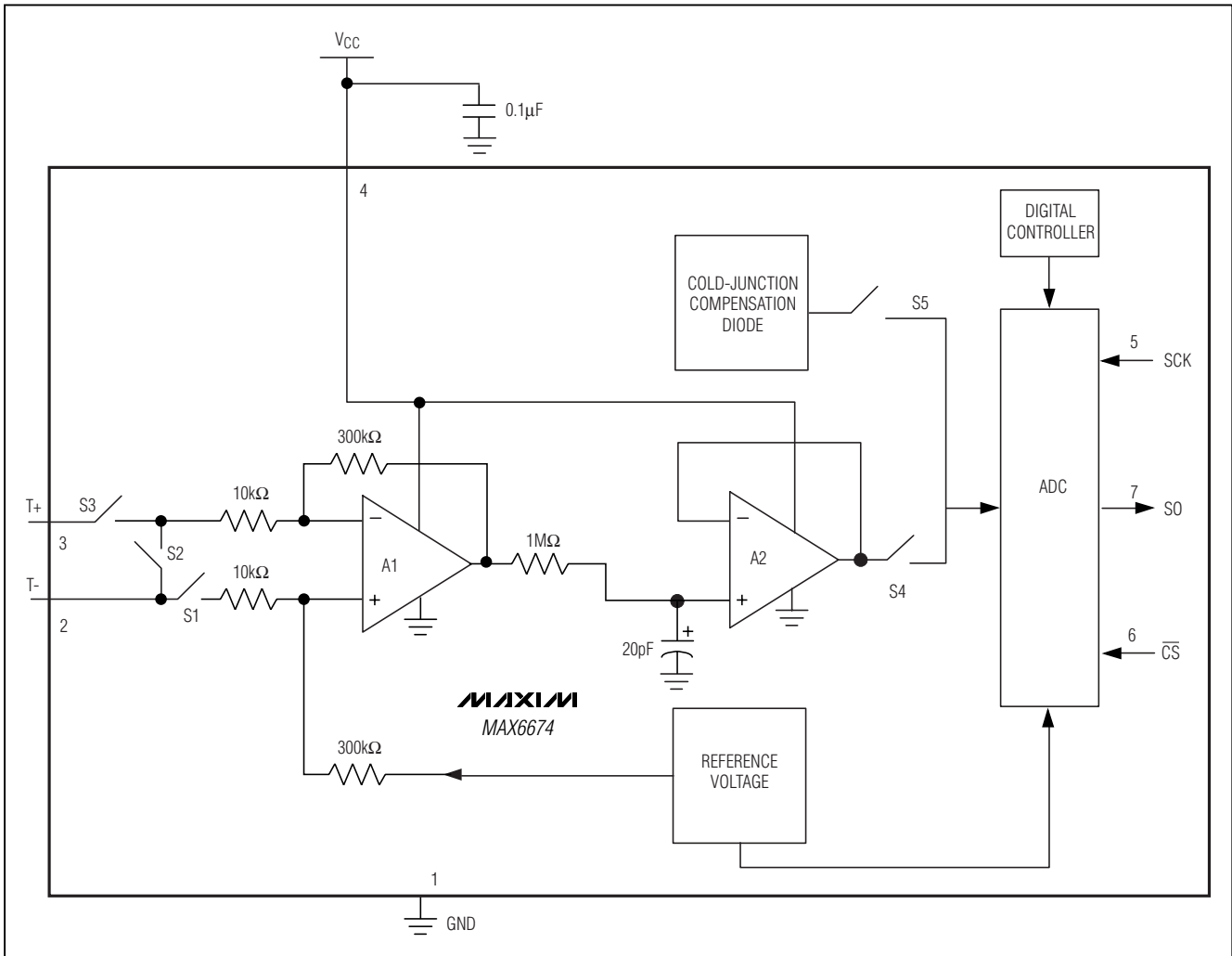
BIT	DUMMY SIGN BIT	10-BIT TEMPERATURE READING										THERMOCOUPLE INPUT	DEVICE ID	STATE		
		14	13	12	11	10	9	8	7	6	5			4	3	2
Bit	15	14	13	12	11	10	9	8	7	6	5	4	3	2	1	0
	0	MSB									LSB		0	Three-state		

Figure 2. SO Output

Cold-Junction-Compensated K-Thermocouple-to-Digital Converter (0°C to +128°C)

Block Diagram

MAX6674



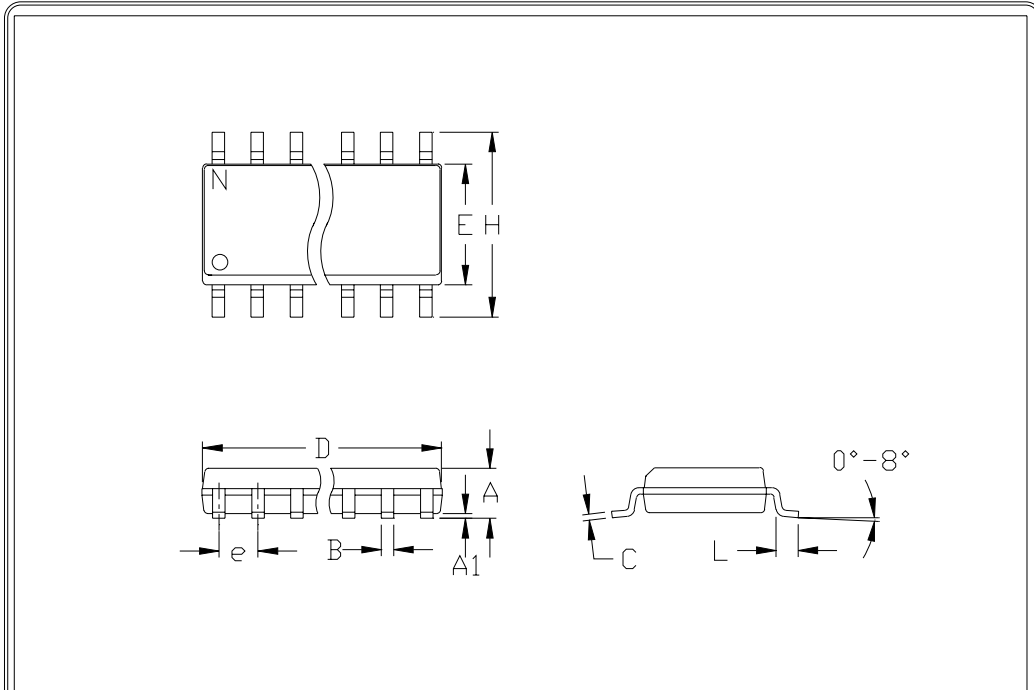
Chip Information

TRANSISTOR COUNT: 6460
PROCESS: BiCMOS

Cold-Junction-Compensated K-Thermocouple-to-Digital Converter (0°C to +128°C)

Package Information

(The package drawing(s) in this data sheet may not reflect the most current specifications. For the latest package outline information, go to www.maxim-ic.com/packages.)



	INCHES		MILLIMETERS	
	MIN	MAX	MIN	MAX
A	0.053	0.069	1.35	1.75
A1	0.004	0.010	0.10	0.25
B	0.014	0.019	0.35	0.49
C	0.007	0.010	0.19	0.25
e	0.050		1.27	
E	0.150	0.157	3.80	4.00
H	0.228	0.244	5.80	6.20
h	0.010	0.020	0.25	0.50
L	0.016	0.050	0.40	1.27

	INCHES		MILLIMETERS		N	MS012
	MIN	MAX	MIN	MAX		
D	0.189	0.197	4.80	5.00	8	A
D	0.337	0.344	8.55	8.75	14	B
D	0.386	0.394	9.80	10.00	16	C

- NOTES:
1. D&E DO NOT INCLUDE MOLD FLASH
 2. MOLD FLASH OR PROTRUSIONS NOT TO EXCEED .15mm (.006")
 3. LEADS TO BE COPLANAR WITHIN .102mm (.004")
 4. CONTROLLING DIMENSION: MILLIMETER
 5. MEETS JEDEC MS012-XX AS SHOWN IN ABOVE TABLE
 6. N = NUMBER OF PINS



PACKAGE FAMILY OUTLINE: SOIC .150" TITLE

1/1

21-0041 A DOCUMENT CONTROL NUMBER REV

Maxim cannot assume responsibility for use of any circuitry other than circuitry entirely embodied in a Maxim product. No circuit patent licenses are implied. Maxim reserves the right to change the circuitry and specifications without notice at any time.

8 Maxim Integrated Products, 120 San Gabriel Drive, Sunnyvale, CA 94086 408-737-7600